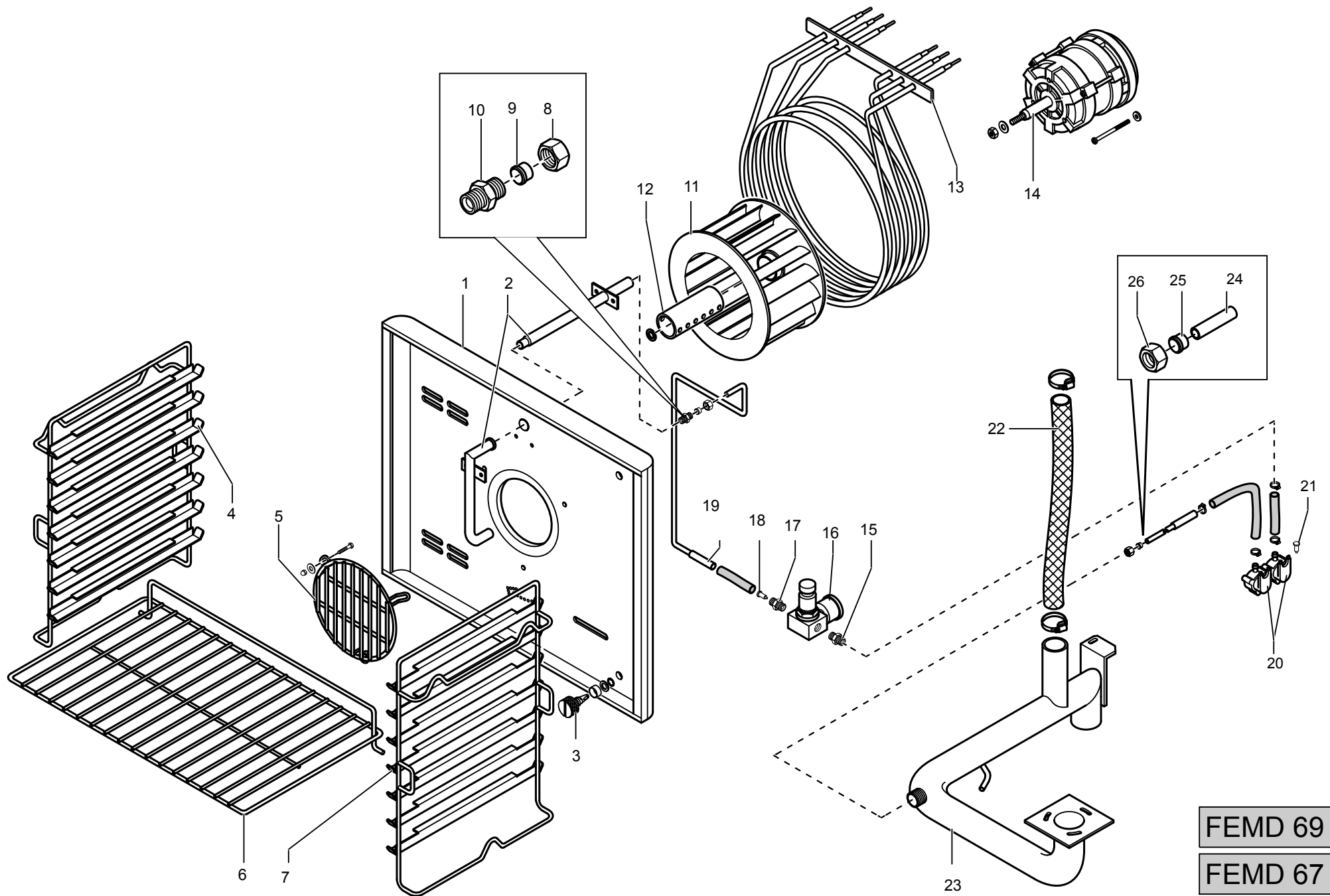


FEMD 67 SC

TAV. 739

| TABLE         | POS. | CODE       | ITALIAN                        | ENGLISH                       | FRAÇAIS                                  | DEUTSCH                        |
|---------------|------|------------|--------------------------------|-------------------------------|--|--------------------------------|
| FORNI TAV 739 | 1    | GAFOC00030 | AS.CERN.SUP.SX P.F.FCV.        | INGE PIN SUPER.LEFT           | CHARNIÈRE SUPÉRIEURE GAUCHE              | TÜRANGEL OBEN LINKS            |
| FORNI TAV 739 | 1-1  | GAFOC00213 | AS.CERN.SUP.DX P.F.FCV         | INGE PIN SUP. RIGHT           | CHARNIÈRE SUPÉRIEURE DROITE              | TÜRANGEL RECHTS                |
| FORNI TAV 739 | 2    | 161509     | GR.CRISTALLO INT.P.F.SERIE 065 | ROD TRANSVERS.                | GROUPE VERRE INTERIEUR GAUCHE/DROITE     | GRUPPE INNENGLAS RECHTS/LINKE  |
| FORNI TAV 739 | 3    | 161155     | AS.PORTA F.SX SERIE 065        | INGE PIN SUP. RIGHT           | PORTE DU FOUR GAUCHE                     | OFENTÜR LINKS                  |
| FORNI TAV 739 | 3-1  | 161613     | AS.PORTA F.DX SERIE 065        | OUTWARD BASE                  | GARNITURE VERRE                          | GLASDICHTUNG                   |
| FORNI TAV 739 | 4    | 161171     | CRISTALLO EST.P.F.SERIE 060    | OUTWARD BASE                  | VERRE EXTER GAUCHE/DROITE                | EXTERNER GLAS RECHTS/LINKE     |
| FORNI TAV 739 | 5    | 161487     | *GUARNIZ.VETRO EST.P.F.060/065 | OUTWARD BASE                  | GARNITURE VERRE EXTÉR.                   | EXTERNER GLASDICHTUNG          |
| FORNI TAV 739 | 6    | PAFOC00583 | CERN.INF.P.F.DX FCV            | INGE PIN INF. RIGHT           | CHARNIÈRE INFÉRIEUR DROITE PORTE DU FOUR | TÜRANGEL INF. RECHTS           |
| FORNI TAV 739 | 6-1  | 161387     | AS.CERN.INF.P.F.SX 060/065/100 | OUTWARD BASE                  | CHARNIÈRE INFÉRIEUR GAUCHE PORTE DU FOUR | TÜRANGEL UNTENLINKS            |
| FORNI TAV 739 | 7    | 160912     | MANIGLIA F.FCV/1 ACCIAIO       | PLUG                          | POIGNÉE                                  | HANDGRIFF                      |
| FORNI TAV 739 | 8    | RTFOC00338 | ANELLO EST.MAN.P.F.FCV.        | OUTWARD RING OVEN DOOR HANDLE | ANNEAU EXT. POIGNÉE PORTE DU FOUR        | HANDGRIFF                      |
| FORNI TAV 739 | 9    | 160911     | BASETTA MANIGLIA FCV/1 ACCIAIO | CENTRAL BASE                  | EPAISSEUR POIGNÉE                        | HANDGRIFF                      |
| FORNI TAV 739 | 10   | RTFOC00337 | ANELLO INT.GRADINO MAN.P.F.FCV | INNER RING                    | ANNEAU INTERIEUR EPAISSEUR               | INNENRING                      |
| FORNI TAV 739 | 11   | 161598     | AS.CASSETTO SX INT.P.F.S.065   | MICRO OVEN DOOR               | GROUPE BASSIN GAUCHE                     | GRUPPE SCHUBLADE LINKS         |
| FORNI TAV 739 | 11-1 | 161607     | AS.CASSETTO DX INT.P.F.S.065   | CENTRAL BASE                  | GROUPE BASSIN DROITE                     | GRUPPE SCHUBLADE RECHTS        |
| FORNI TAV 739 | 12   | 161131     | AS.CASSETTO SX S.065           | OUTWARD BASE                  | BASSIN GAUCHE                            | SCHUBLADE LINKS                |
| FORNI TAV 739 | 12-1 | 161605     | AS.CASSETTO DX S.065           | CONTROL PANEL                 | BASSIN DROITE                            | SCHUBLADE RECHTS               |
| FORNI TAV 739 | 13   | RTFOC00413 | PIEDINO+T.OTTAG.FGC065/87,5    | FOOT                          | PIED                                     | FUSS                           |
| FORNI TAV 739 | 14   | RTFOC00711 | MICROINT.FCV. RMP UNIPOL.30907 | MICRO OVEN DOOR               | MICRO-INTERRUPTEUR PORTE DU FOUR         | MIKRO OFENTÜR                  |
| FORNI TAV 739 | 15   | GAFOC00242 | AS.CRUSCOTTO FGM67             | CONTROL PANEL                 | PANNEAU DE CONTRÔLE                      | STIRNBRETT                     |
| FORNI TAV 739 | 16   | PAFOC00416 | FIANCO DX FGC065               | RIGHT SIDE                    | CÔTÉ DROITE                              | RECHTE SEITE                   |
| FORNI TAV 739 | 17   | PAFOC00690 | POSTERIORE INOX                | POSTERIOUR EXT.               | ARRIÈRE EXT.                             | HINTEN AUSSEN                  |
| FORNI TAV 739 | 18   | 161200     | AS.COPERCHIO FEMD67/69         | MOULDING P/LAMP               | COUVERCLE EXT.                           | ABDECKUNG                      |
| FORNI TAV 739 | 19   | PAFOC00418 | FIANCO SX FGC065               | LEFT SIDE                     | CÔTÉ GAUCHE                              | LINKE SEITE                    |
| FORNI TAV 739 | 20   | 161502     | *AS.GHIERA BLOC.VETRO INT.P.F. | CONTROL PANEL                 | GROUPE BAGUE BLOCAGE VERRE               | GRUPPE GEFESTIGUNGSMUTTER GLAS |
| FORNI TAV 739 | 21   | GAFOC00027 | AS.C/FORO CASS.FCV/1           | PLUG                          | COUVRE TROU                              | LOCHABDECKUNGSPFROPFEN         |
| FORNI TAV 739 | 22   | RTFOC00555 | AT.GRIGLIA LAT.F.FCV           | GRILL CONNECTION SIDE         | ATTAQUE GRILLE LATÉRALE                  | GRILLAUFPLATTE SEITE           |
| FORNI TAV 739 | 23   | RTFOC00476 | ASTA TRAS.SCA.COND.            | ROD TRANSVERS.                | BARRE TRANSVERSAL                        | STAB                           |
| FORNI TAV 739 | 24   | RTFOC00412 | ASTA ANT.SCA.COND. NICH.       | ROD ANTERIOUR                 | BARRE ANTÉRIEUR                          | STAB VORNE                     |
| FORNI TAV 739 | 25   | 161660     | MANOP.COND.FCV.GRIGIA EKK25BM6 | ROD ANTERIOUR                 | BOUTON                                   | DREHGRIFF                      |
| FORNI TAV 739 | 26   | PAFOC00680 | DISCO INF.SCARICO COND.FEMD100 | DISC INFER. OUTLET            | DISQUE INFÉRIEUR DÉCHARGÉ                | SCHEIBE UNTEN AUSGANG          |
| FORNI TAV 739 | 27   | RTFOC00382 | CORNICE FIS.VETRO P/LAMP.FCV   | MOULDING P/LAMP               | CADRE DU PORTELAMPE                      | UMRAHMUNG P/LAMPE              |
| FORNI TAV 739 | 28   | 161283     | GUARN.P/LAMP.FCV 77222 ROSSA   |                               | GARNITURE DU PORTELAMPE                  | DICHTUNG P/LAMPE               |
| FORNI TAV 739 | 29   | RTFOC00201 | VETRO P/LAMPADA FCV.           | GLASS P/LAMP                  | VERRE DU PORTELAMPE                      | GLAS P/LAMPE                   |
| FORNI TAV 739 | 30   | 161281     | P/LAMPADA FCV 77737            | POSTERIOUR EXT.               | PORTELAMPE                               | PORTA LAMPE                    |

| TABLE         | POS. | CODE       | ITALIAN                        | ENGLISH         | FRANÇAIS                         | DEUTSCH                    |
|---------------|------|------------|--------------------------------|-----------------|----------------------------------|----------------------------|
| FORNI TAV 739 | 31   | 161282     | LAMP.ALOG.FCV 20W 12VCC        | POSTERIOUR EXT. | LAMPE                            | LAMPE                      |
| FORNI TAV 739 | 32   | RTFOC00009 | GANCIO FISSO SER.P.FCV.010218  | HOOK            | CROCHET                          | HAKEN                      |
| FORNI TAV 739 | 33   | RTFOC00005 | ZOCCOLO EST.SER.P.FCV.020945   | OUTWARD BASE    | GODET EXTÉRIEUR                  | SOCKEL AUSSEN              |
| FORNI TAV 739 | 34   | GAFOC00005 | AS.SERRATURA P.F.FEC060        | LOCK            | SERRURE PORTE DU FOUR            | SCHLOSS                    |
| FORNI TAV 739 | 35   | RTFOC00057 | ZOCCOLO CENT.SER.P.FCV.020944  | CENTRAL BASE    | GODET CENTRAL                    | SOCKEL ZENTRAL             |
| FORNI TAV 739 | 36   | RTMIN00114 | DADO M6ES.CIECO INOX           | CENTRAL BASE    | ECROU                            | MUTTER                     |
| FORNI TAV 739 | 37   | 161580     | AS.PROTEZ.SERR.P.F. DX S.065   | MICRO OVEN DOOR | GROUPE PROTECTION SERRURE DROITE | GRUPPE SHUTZSCHLOSS RECHTZ |
| FORNI TAV 739 | 37-1 | 161150     | AS.PROTEZ.SERR.P.F. SX S.065   | INNER RING      | GROUPE PROTECTION SERRURE GAUCHE | GRUPPE SHUTZSCHLOSS LINKE  |
| FORNI TAV 739 | 38   | 161411     | PROF.GUARNIZIONE CRUSC.FORNI   | CONTROL PANEL   | GARNITURE PANNEAU DE CONTRÔLE    | DITCHUNGSTIRNBRETT         |
| FORNI TAV 739 | 39   | RTFOC00723 | GUARNIZ.P.F.FEC065 GIUNTATA    | GASKET DOOR     | GARNITURE PORTE                  | TÜRDICHTUNG                |
| FORNI TAV 739 | 40   | 161494     | *DISTANZIALE VETRO INT.P.FORNO | ROD TRANSVERS.  | ENTRTOISE VERRE                  | DISTANZSTÜCK GLAS          |
| FORNI TAV 739 | 41   | 161477     | GOMMINO PORTA FORNO            | ROD TRANSVERS.  | BOUCHON DE LA PORTE              | TÜRGUMMI                   |

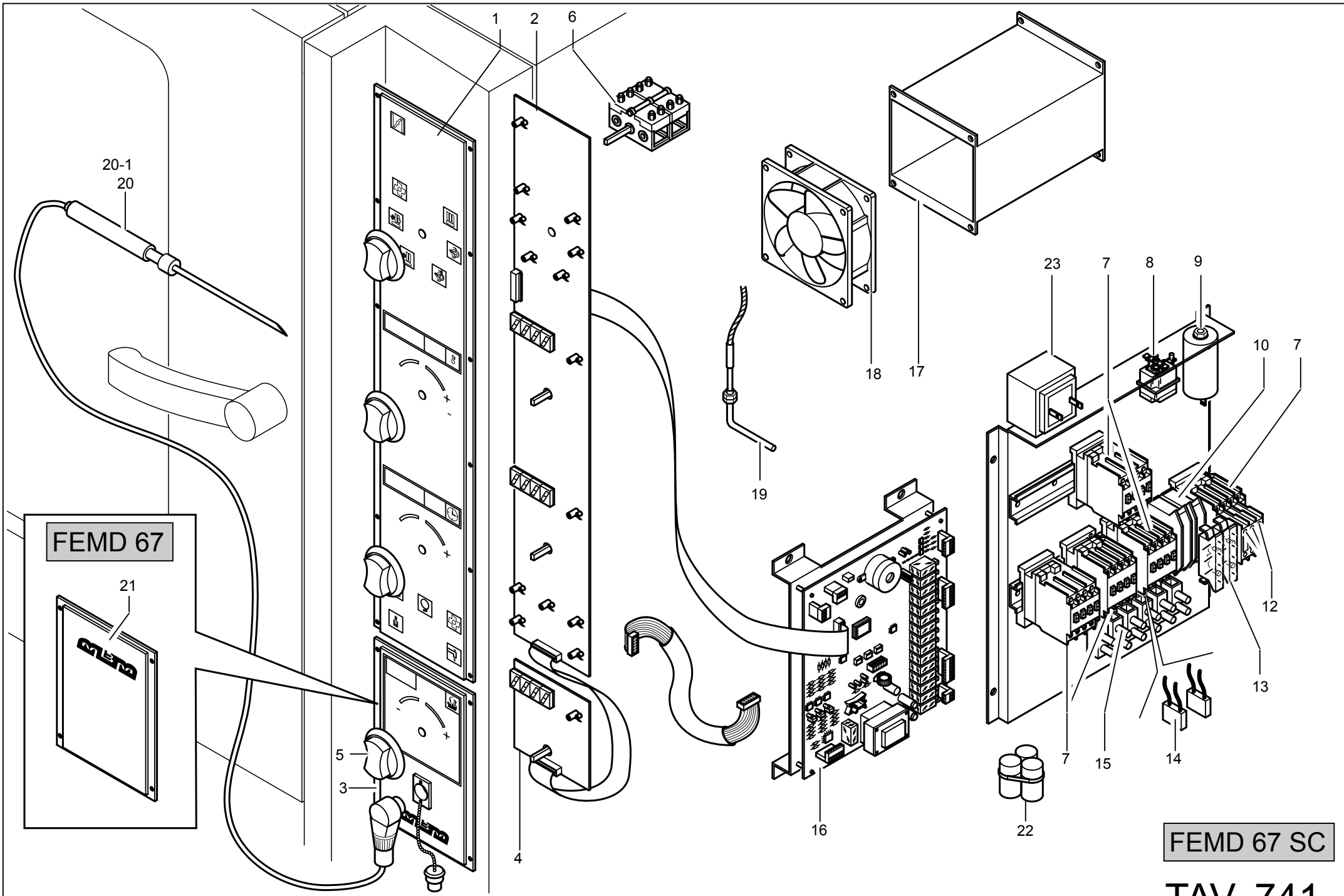


FEMD 69

FEMD 67 SC

TAV. 740

| TABLE         | POS. | CODE       | ITALIAN                        | ENGLISH                        | FRANÇAIS                        | DEUTSCH                         |
|---------------|------|------------|--------------------------------|--------------------------------|---------------------------------|---------------------------------|
| FORNI TAV 740 | 1    | PAFOC00625 | CONV.ARIA                      | FAN                            | CONVOYEUR                       | VENTILATOR                      |
| FORNI TAV 740 | 2    | RTFOC00408 | TU.UMIDIFICATORE               | HUMIDIFIER                     | HUMIDIFICATEUR                  | BEFEUCHTER                      |
| FORNI TAV 740 | 3    | RTFOC00334 | AT.RAPIDO K1610/TA16/C16X      | CONNECTION                     | ATTAQUE RAPIDE                  | SCHNELLANSCHLUSS                |
| FORNI TAV 740 | 4    | RTFOC00174 | GRIGLIA PROT.VENT.FCV.INOX     | GRILL IMPELLER PROTECTION      | GRILLE DE PROTECTION            | SCHUTZGITTER SCHORNSTEIN        |
| FORNI TAV 740 | 5    | RTFOC00613 | GRIGLIA LAT.SX FGC065 INOX     | GRILL SIDE LEFT                | GRILLE LATÉRALE GAUCHE          | GRILL SEITE LINKS               |
| FORNI TAV 740 | 6    | RTFOC00175 | GRIGLIA F.FCV.GN1/1 INOX       | GRILL OVEN GN 1/1              | GRILLE DU FOUR GN 1/1           | GRILL HERD GN 1/1               |
| FORNI TAV 740 | 7    | RTFOC00612 | GRIGLIA LAT.DX FGC065 INOX     | GRILL SIDE RIGHT               | GRILLE LATÉRALE DROIT           | GRILL SEITE RECHTS              |
| FORNI TAV 740 | 8    | RTFOC00020 | CALOTTA UMIDIF.FCV.            | NUT                            | ECROU                           | MUTTER                          |
| FORNI TAV 740 | 9    | RTCU900018 | BICONO D.6 PEL0905             | BICONE FOR PIPE Ø 6            | BICONE POUR TUBE Ø 6            | ZWEIKEGEL Ø 6                   |
| FORNI TAV 740 | 10   | RTFOC00557 | INIET.UMIDIF.FCV D.1.5         | INJECTOR HUMIDIFIER            | INJECTEUR HUMIDIFICATEUR        | EINSPRITZER BEFEUCHTER          |
| FORNI TAV 740 | 11   | RTFOC00473 | GIRANTE VENT.6G D.220 P.R.     | IMPELLER 50HZ                  | MOBILE 50HZ                     | LAUFRAD 50HZ                    |
| FORNI TAV 740 | 12   | RTFOC00437 | NEBULIZZATORE FGC065           | DISTRIBUTOR                    | NÉBULISATEUR                    | ZERSTÄUBER                      |
| FORNI TAV 740 | 13   | RTFOC00433 | R.FEC065 7,5KW240              | RESISTANCE                     | RESISTANCE                      | WIEDERSTAND                     |
| FORNI TAV 740 | 14   | RTFOC00011 | MOTORE VENT.FEC060 1075 P.T.   | MOTOR                          | MOTEUR                          | MOTOR                           |
| FORNI TAV 740 | 15   | RTFOC00626 | RACCORDO P/GOMMA FCV 0502001   | UNION RUBBER                   | RACCORD SOUPLE                  | ANSCHLUSS GUMMI                 |
| FORNI TAV 740 | 16   | GRFOC00274 | GR.REGOLATORE PRESSIONE FCV    | PRESSURE REGULATOR + MANOMETER | REGULATEUR PRESSION + MANOMÈTRE | DRUCKREGLER + SICHERHEITSVENTIL |
| FORNI TAV 740 | 18   | RTFOC00120 | REGOLAT.E/VALV.FCV.ROSSO/0,25  | FLOWREGULATOR                  | REGULATEUR DE PORTÉE            | DURCHSTRÖMUNGSREGLER            |
| FORNI TAV 740 | 19   | RTFOC00749 | TU.AL.ACQ.UMIDIF.FCG6-FCE6     | FLOWREGULATOR                  | TUYAU HUMIDIFICATEUR            | ROHR BEFEUCHTER                 |
| FORNI TAV 740 | 20   | RTFOC00203 | E/VALVOLA FCV.2V.RAE208230V    | ELECTRIC VALVE                 | SOUPAPE                         | ELEKTROVENTIL                   |
| FORNI TAV 740 | 21   | RTFOC00726 | REGOLAT.E/VALV.FCV.VERDE       | FLOWREGULATOR                  | REGULATEUR DE PORTÉE            | DURCHSTRÖMUNGSREGLER            |
| FORNI TAV 740 | 22   | 161508     | TUBO GOMMA SC.COND.D.IN.36X4,0 | NUT                            | VITE FISSAGGIO GIRANTE          | BEFESTIGUNGSSCHRAUBE LAUFRAD    |
| FORNI TAV 740 | 23   | 161210     | RAMPA SC.COND.INF.FGMD67/69    | GRILL SIDE RIGHT               | RAMPE DU DÉCHARGEMENT EAU       | RAMPE WASSERABFLUSS             |
| FORNI TAV 740 | 24   | 161533     | TU.AB.VAPORI FGMD/FEMD 67/69   | HUMIDIFIER                     | TUYAU DÉTACHEMENT VAPEUR        | ROHR DAMPF                      |
| FORNI TAV 740 | 25   | RTCU900012 | BICONO D.10                    | DOUBLE CONE D.10               | BICONE D.10                     | DOPPELKONUS D.10                |
| FORNI TAV 740 | 26   | RTCU900013 | CALOTTA D.10                   | NUT                            | ECROU                           | MUTTER                          |



FEMD 67 SC

TAV. 741

| TABLE         | POS. | CODE       | ITALIAN                              | ENGLISH                | FRANÇAIS                     | DEUTSCH              |
|---------------|------|------------|--------------------------------------|------------------------|------------------------------|----------------------|
| FORNI TAV 741 | 1    | RTFOC00506 | MASCHER.CRUS.FGMD067 FRONT.          | COVER FRONTAL          | MASQUE FRONTAL               | ABDECKUNGVORNE       |
| FORNI TAV 741 | 2    | RTFOC00672 | SCHEDA DISPLAY FGMD107 98X3          | SCHEME DISPLAY         | CARTE DISPLAY                | SCHALTPLAN DISPLAY   |
| FORNI TAV 741 | 3    | 161277     | MASCHER.CRUS.FGMD067SC ESTERNA       | FUSIBLE 8 A            | MASQUE SONDEUSE              | ABDECKUNGSONDE       |
| FORNI TAV 741 | 4    | RTFOC00673 | SCHEDA SONDA FGMD107 98X2            | SCHEME EL. PROBE       | SCHEDA EL. SONDE             | SCHALTPLAN EL. SONDE |
| FORNI TAV 741 | 5    | 160910     | MANOP.COM.FCV/1 ACCIAIO              | FUSIBLE 8 A            | BOUTON                       | DREHGRIFF            |
| FORNI TAV 741 | 6    | RTFOC00669 | COMM.FGMD067 4647866823              | COMMUTATOR             | COMMUTEUR                    | KOMMUTATORGRIFF      |
| FORNI TAV 741 | 7    | RTFOC00786 | RELAIS FCV.3RT1016-1AP02             | THERMOSTAT LIMIT. OVEN | RELAIS                       | RELAIS               |
| FORNI TAV 741 | 8    | RTFOC00483 | T.L.FCV/1T350 5510562800             | THERMOSTAT LIMIT. OVEN | THERMOSTAT LIMITEUR          | LIMIT THERMOSTAT     |
| FORNI TAV 741 | 9    | RTFOC00053 | CONDENSATORE FCV 16152220MF450       | CONDENS. MOTOR         | CONDENSATEUR                 | CONDENS. MOTOR       |
| FORNI TAV 741 | 10   | RTFOC00048 | P/FUSIBILE+PIAS.FCV.SFR4+SFRPT       | FUSE HOLDER            | PORTE-FUSIBLES               | SICHERUNGSHALTER     |
| FORNI TAV 741 | 12   | RTFOC00789 | CONTATTI A.FCV.3RH1911-1FA11         | COVER NEUTRA           | AUXILIARIE CONTACT           | HILFSANSCHLÜSSE      |
| FORNI TAV 741 | 13   | RTFOC00284 | FUSIBILE FCV.5X20/6,3A               | FUSIBLE 8 A            | FUSIBLE 8 A                  | SICHERUNG 8 A        |
| FORNI TAV 741 | 14   | RTFOC00023 | A/DISTURBO FCV.F43LN3100ZF00K        | ANTIJAMMING FILTER     | ANTI-PERTURBATION            | FILTER A/STÖRUNG     |
| FORNI TAV 741 | 15   | RTBF900045 | MORSETTIERA 12M-PA220TV SIMB/1-6+1-6 | TERMINAL BLOCK 6 POLES | GROUPE DE CONNECTION 6 POLES | KLEMMBRETT 6 POLIG   |
| FORNI TAV 741 | 16   | RTFOC00671 | SCHEDA POTENZA FGMD107 V.2002        | POWER SCHEME           | CARTE DE PUISSANCE           | SCHALTPLAN POTENZ    |
| FORNI TAV 741 | 17   | GAFOC00246 | AS.CONV.CALORE                       | FAN                    | CONVOYEUR                    | UMWÄLZER             |
| FORNI TAV 741 | 18   | RTFOC00254 | VENT.CALORE FEM109                   | HEATFAN                | VENTILATEUR CHALEUR          | WÄRMEVENTILATOR      |
| FORNI TAV 741 | 19   | RTFOC00321 | T/COPPIA 52 FCV.MBM00001             | THERMOELEMENT          | THERMOCOUPLE                 | THERMOELEMENT        |
| FORNI TAV 741 | 20-1 | 161389     | SONDA C/DIAM 2X100 MBM00010          | COVER FRONTAL          | SONDE Ø2                     | SONDE Ø2             |
| FORNI TAV 741 | 20   | 161390     | SONDA C/DIAM 4X100 MBM00011          | CONDENS. MOTOR         | SONDE Ø4                     | SONDE Ø4             |
| FORNI TAV 741 | 21   | RTFOC00666 | MASCHERINA NEUTRA                    | COVER NEUTRA           | MASQUE NEUTRE                | ABDECKUNG NEUTRAL    |
| FORNI TAV 741 | 22   | RTFOC00312 | A/DISTURBO FEC060 411132210          | ANTIJAMMING FILTER     | ANTI-PERTURBATION            | FILTER A/STÖRUNG     |